

ECOHOOG®

EH1500-TWS Tracked Windshifter

Incorporating air technology, the Ecohog EH1500-TWS Windshifter facilitates fraction separation based on desired density. The Windshifter Unit controlled EH-81 Airhog suction fan removes light and superlight contaminants and separates the heavy fraction from the light fraction. Opting for a head drum magnet for the recovery of ferrous metals, the EH1500-TWS can achieve a three way split of 10mm-300mm material depending on bulk mass density. This unit has a range of features that positions it most desirable in the marketplace.



KEY FEATURES

- Tracked option for ease of transportation and site mobility
- 3 way split enabling separation of light and heavy fraction and recovery of ferrous metals
- 10mm - 300mm separation depending on bulk mass density
- Onboard genset
- Integrated lights conveyor
- Suitable for stockpiling
- Integrated heavies conveyor
- Energy efficient motors
- Low maintenance
- Low operational costs

SUITABLE FOR

- Cleaning Compost / Compost Oversize
- Construction & Demolition waste (C&D)
- Construction & Industrial waste (C&I)
- Glass (MRF) Clean up
- Trommel Fines
- Waste Wood processing
- RDF / SRF
- Green Waste

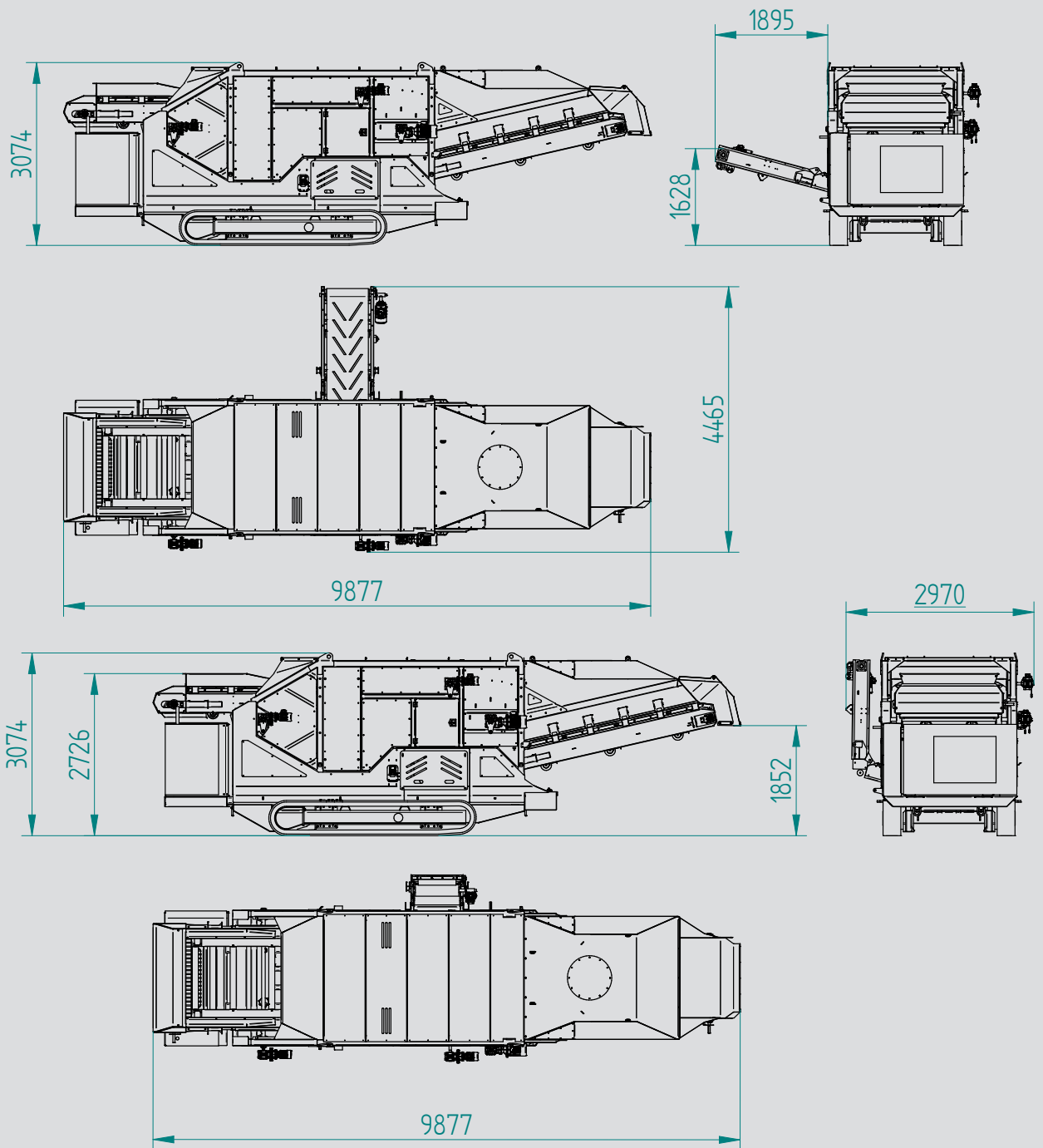
OPTIONAL EXTRAS

HYBRID options available



Ecohog HQ
Quarry Road | Carrickmore
Omagh | Co. Tyrone | N.I.
T (UK) +44 (0)28 8076 1295
info@ecohog.com

TECHNICAL DATA



Please note: design and specification may be subject to change.

SPECIFICATION

EH1500-TWS

Weight | 17T (approx.)
Transport Length (9877mm)
Transport Height (3074mm)
Transport Width (2970mm)
Operating Width (4465mm)

Radial Blower Fans

Adjustable infeed
accelerator conveyor

Hooded lights conveyor

Heavies conveyor with head drum magnet

Electrical

Manual start / stop of each motor
Motor disconnect switches for maintenance
Motor run and trip illumination on panel doors
Complete with pre start siren and dual channel Emergency Stop

Power Supply

HYBRID options available

UL Certification

All products supplied by Ecohog will be built to the highest specification and control panels will be UL Approved for the USA and Canadian markets.

