

ECOHOG®

EH1500-SM1 Windshifter Standard Unit

The Ecohog Windshifter is an air separation unit that splits waste or organic material according to density. Based on the customer's needs and the application it will be used in, various models and auxiliaries are available. The beauty is that it's compact and can be standalone or nicely integrated with existing equipment.



KEY FEATURES

- Compact
- Precision settings to suit application
- 99% separation efficiency depending on the material
- Protects other equipment in processing cycle e.g. shredders
- Low maintenance
- Low operational costs
- Low dust emission due to controlled and recirculated air flow
- Adjustment settings to suit different materials

INCLUDES

- Infeed accelerator conveyor
- Hooded lights conveyor
- Radial blower fans
- Heavies material discharge
- Plugs into mains

SUITABLE FOR

- Fixed / static applications
- Construction and Demolition Waste (C&D)
- Commercial and Industrial Waste (C&I)
- Electronic and Electrical Waste (WEEE)
- Bottom Ash
- Refuse Derived Fuel (SRF / RDF)
- MRF Glass Cleaning

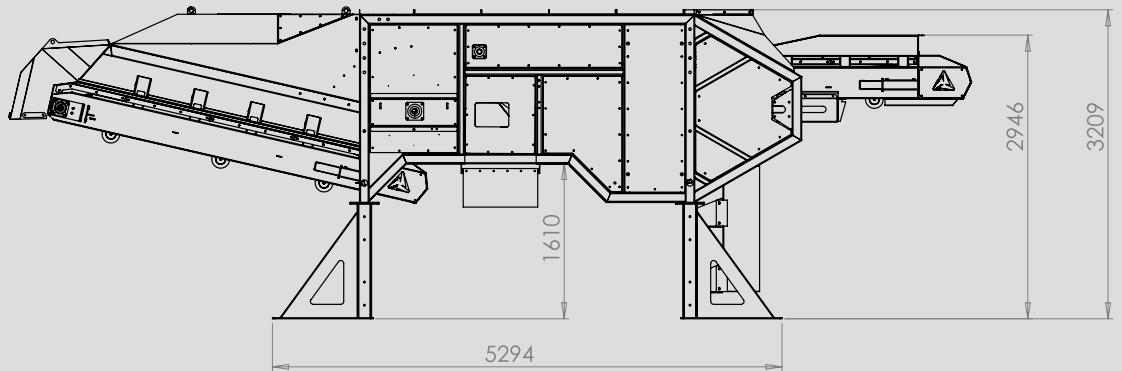
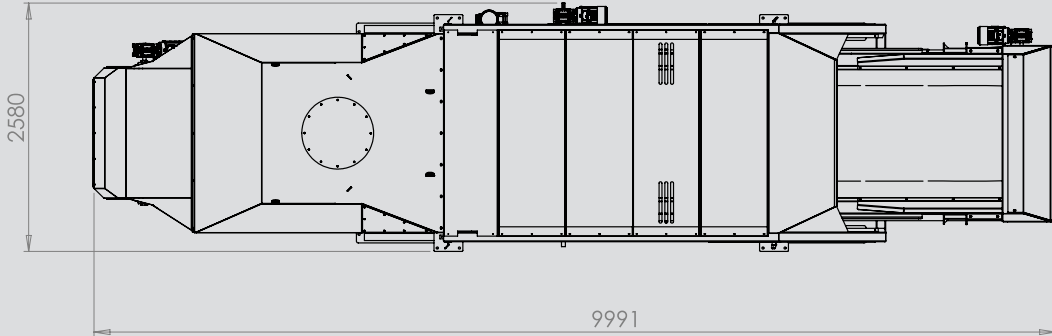
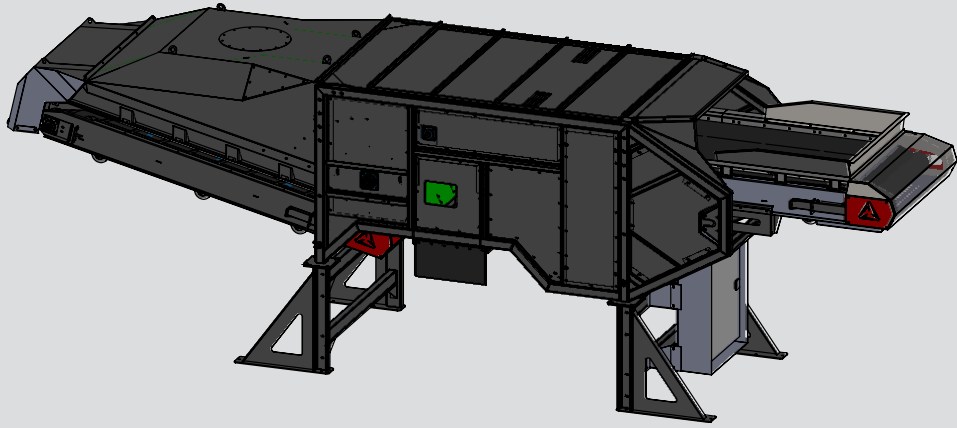
OPTIONAL EXTRAS

- EH-81 Airhog
- Heavy Fraction Discharge Conveyor
- Head Drum Magnet
- Generator
- **HYBRID** options available



Ecohog HQ
Quarry Road | Carrickmore
Omagh | Co. Tyrone | N.I.
T (UK) +44 (0)28 8076 1295
info@ecohog.com
ecohog.com

TECHNICAL DATA



Please note: design and specification may be subject to change.

SPECIFICATION

EH1500-SM1

Operating Weight | 8500kg
Length (9991mm)
Width (2580mm)
Height (3209mm)

Radial Blower Fans

Centrifugal medium pressure fans and straight blade impeller
VSD Controlled motors

Adjustable infeed accelerator conveyor

1 x 5.5kW IP55 geared motor VSD
Belt Length (4500mm)
Belt Working Width (1500mm)

Hooded lights conveyor

1 x 5.5kW IP55 geared motor VSD
Belt Length (3500mm)
Belt Working Width (1200mm)

Electrical

Manual start / stop of each motor
Motor disconnect switches for maintenance
Motor run and trip illumination on panel doors
Complete with pre start siren and dual channel Emergency Stop

UL Certification

All products supplied by Ecohog will be built to the highest specification and control panels will be UL Approved for the USA and Canadian markets.

